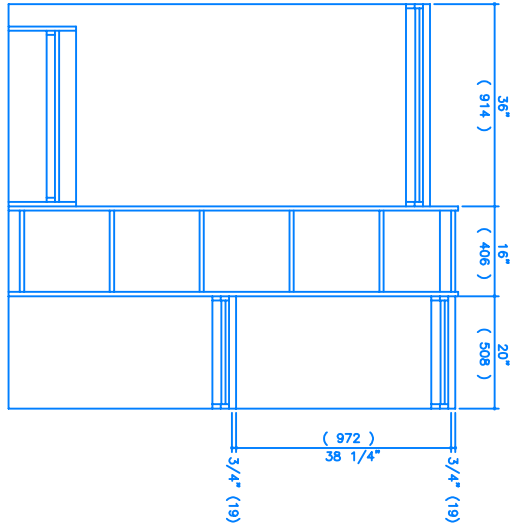
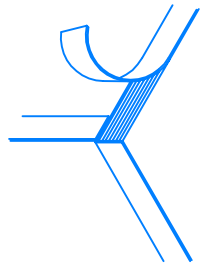


4' ORGANIZER



6' ORGANIZER



**EDGE TAPE
ILLUSTRATION 2**

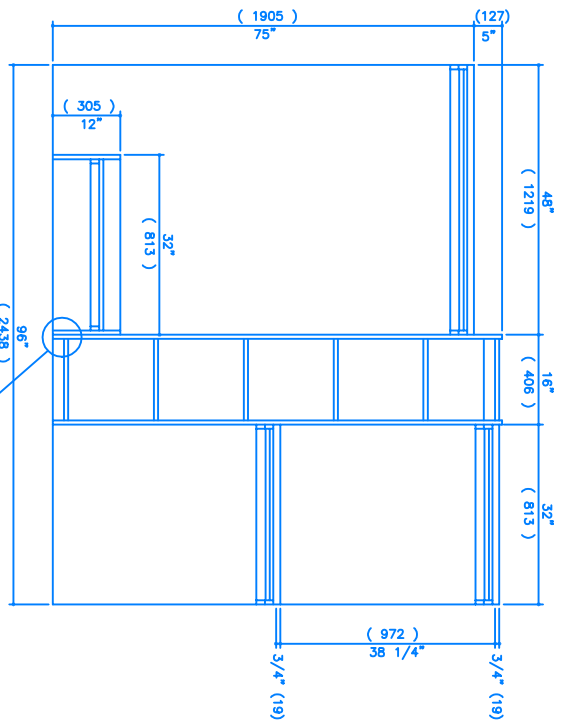


FIGURE 6

- 4) Glue and nail pieces M to G as shown (Fig 7) with 1 1/4" finishing nails. Glue the edges of H and nail G to H with 1 1/2" finishing nails, nailing through G into H with four nails per corner as shown (Fig 8). Glue the top edges of M and N and place F on top of them. Nail F into N and M with 1 1/4" finishing nails. Square the assembly and set aside to dry. This boot rack will be free standing unit.
- 5) To locate your closet shelves measure up from floor to bottom of shelf. Using a level draw a faint line to indicate where shelf supports are mounted. Before mounting supports ensure your measurements are correct. Place two pieces Q on the ends of pieces K and J and test for fit within the closet, on either side of the middle shelf assembly. It is important that there is a tight fit. Similarly test pieces A and B. Trim the pieces if necessary, however it is better to be too long than too short! Place the dowel between pieces Q and then glue and nail pieces Q to K, as shown (Fig 9) with 1 1/2" finishing nails. Repeat same steps with Q and J pieces. Before mounting K or J try locating studs in wall and mark stud locations on pieces Q, K and J. Pre-drill each Q with four holes, using a 1/8" drill bit. These holes should be 3/4" from the rear of piece Q and 3/4" from either side of the holes (or 1/8" from the rear of piece Q and 3/4" from either side of the holes with 1/8" drill bit). Counter-sink the holes with a countersink bit. Hold up inside the closet and drill into the wall through the previously drilled holes. Where you did not hit a stud in the wall, insert an expansion shield, hammering it in. It is better if you can locate your screws in the wall framing. Mark this IK assembly with an X somewhere so you do not get it mixed up with the other similar assembly. Repeat this procedure with the bottom KI shelf and also with the JI shelf. Glue and nail the doorstop R to the shelf A with 1 1/4" finishing nails. Keep the top edges of R and A flush. Repeat for the other AO shelf and also the BP shelf. Nail the two AO shelves onto the KI assemblies with 1 1/4" finishing nails. Similarly nail the BP shelf to the JI assembly. Set the nails with a nail set.

- 6) Screw the shelf into the closet with 1 1/4" flathead screws. Fill nail holes and screw holes with wood putty. Sand and paint.

On miter-folds:

Handwood veneered plywood works best for this project, although our project was built using knotty pine veneer. If you wish good one or good two sides plywood is quite adequate but will require a bit more filling and then some painting. Vinyl shelf edging works well for a project such as this for the small shelves, one 8" length should be adequate. See Illustration 2 for iron-on edge tape installation.

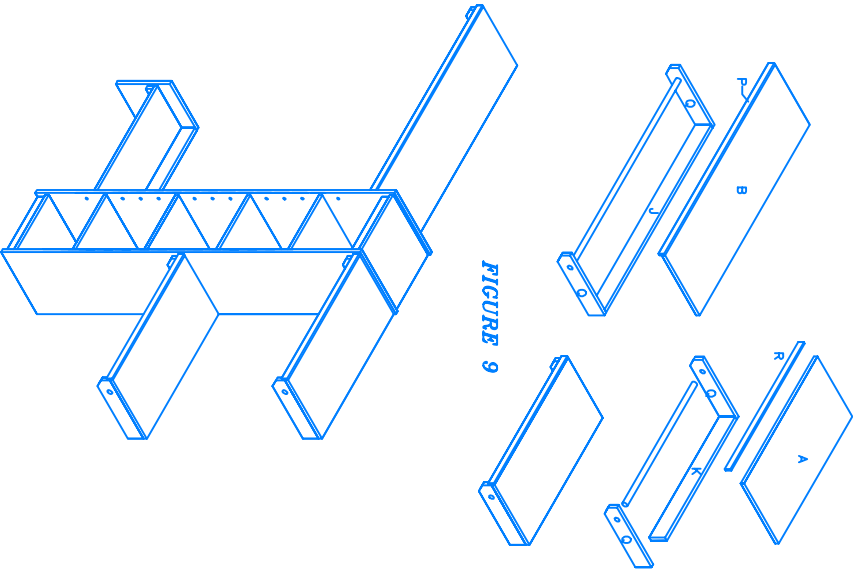


FIGURE 9

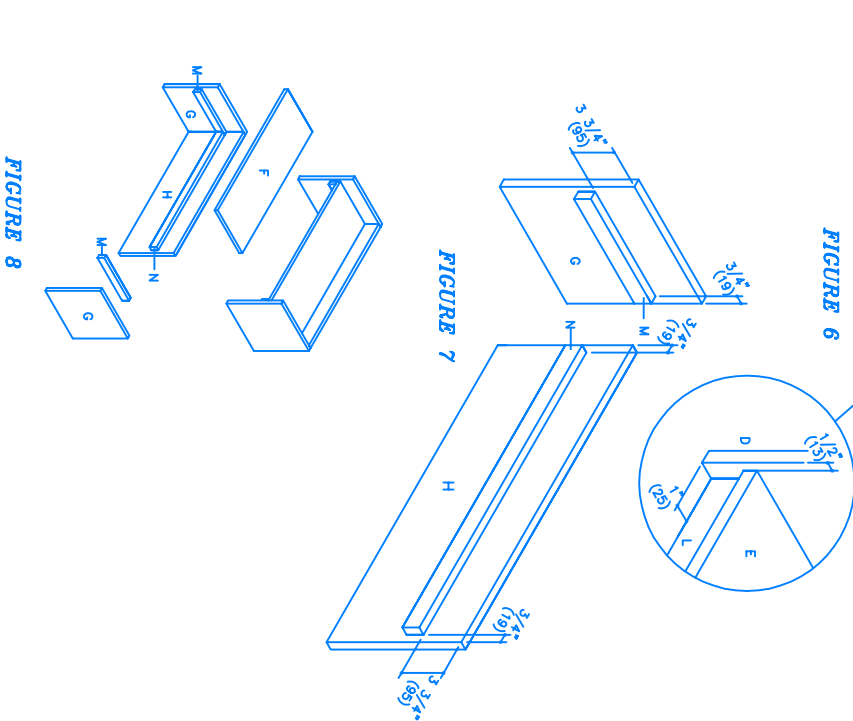


FIGURE 7

FIGURE 8

FINISHED PROJECT